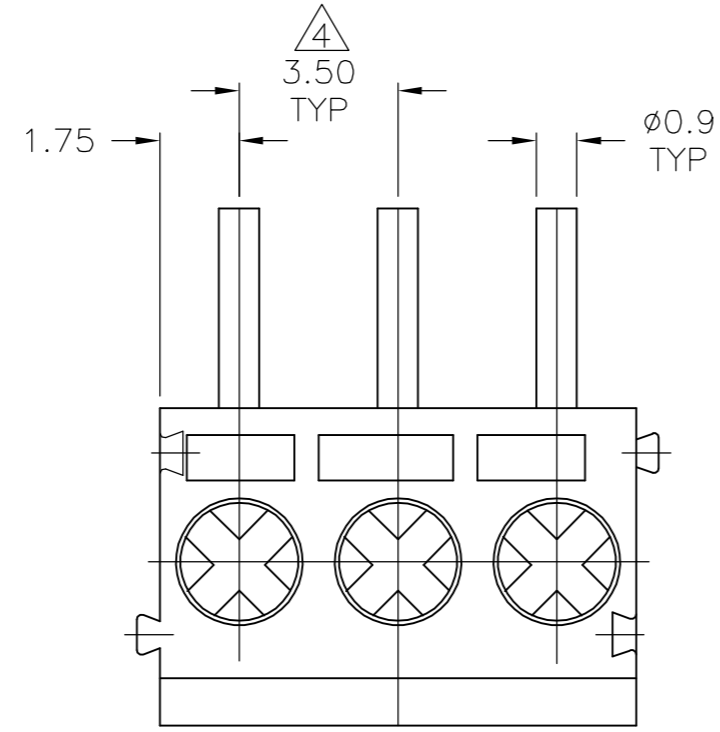
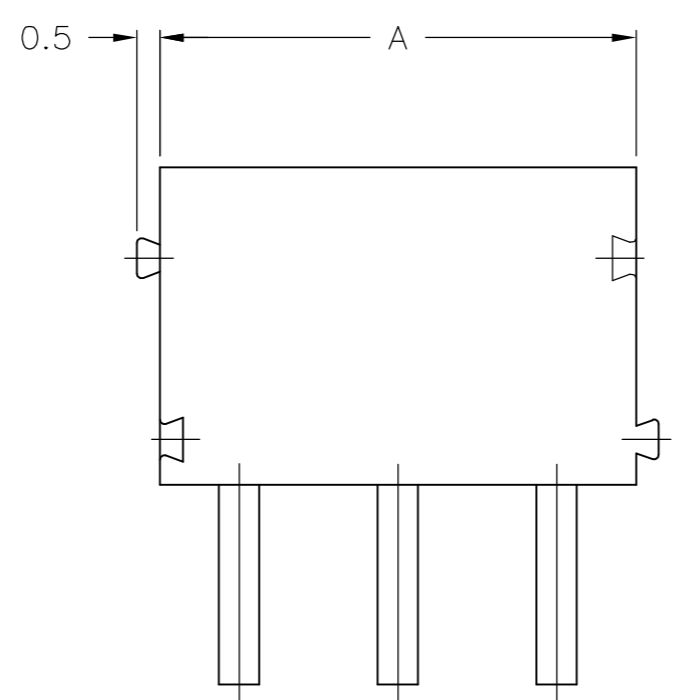
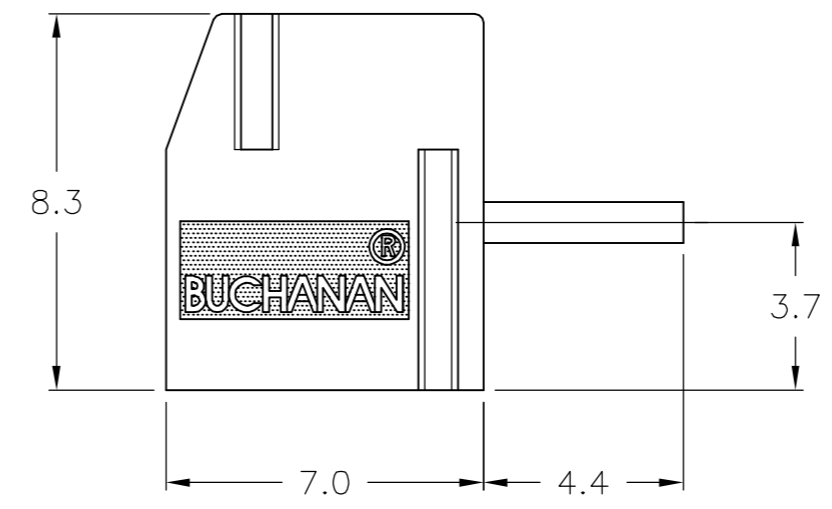
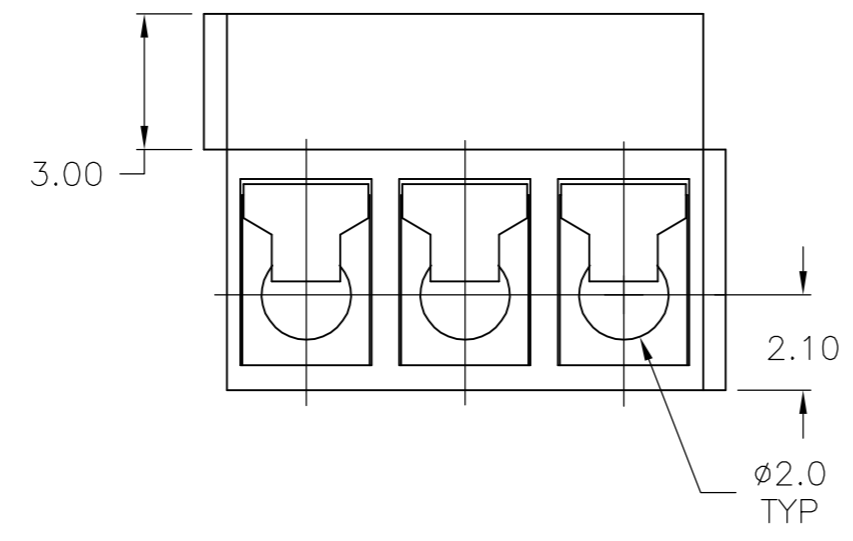
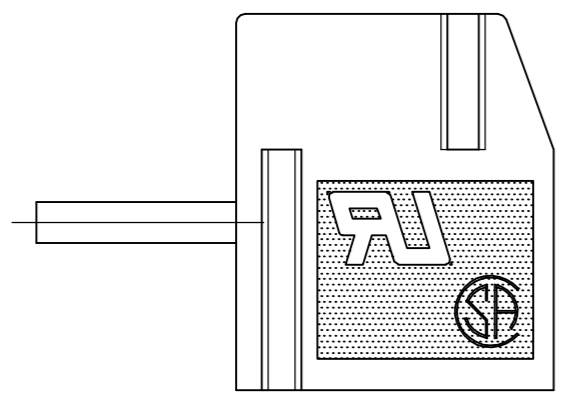


THIS DRAWING IS UNPUBLISHED. RELEASED FOR PUBLICATION
 © COPYRIGHT BY TYCO ELECTRONICS CORPORATION. ALL RIGHTS RESERVED.

LOC	DIST	REVISIONS			
P	LTR	DESCRIPTION	DATE	DWN	APVD
FT	0				
	02	REVISED PER ECO-06-24591	10/19/06	SS	CR



1. ALL DIMENSIONS ARE IN MM.
 2. RECOMMENDED PC BOARD HOLE DIAMETER: 1.20MM TO 1.40MM.
 3. BUCHANAN LOGO TO APPEAR ON HOUSING LOCATION OPTIONAL WHERE SPACE PERMITS.
- △ NON CUMULATIVE



1776253-3 AS SHOWN

84.00	24	2-1776253-4
80.50	23	2-1776253-3
77.00	22	2-1776253-2
73.50	21	2-1776253-1
70.00	20	2-1776253-0
66.50	19	1-1776253-9
28.00	18	1-1776253-8
59.50	17	1-1776253-7
56.00	16	1-1776253-6
52.50	15	1-1776253-5
49.00	14	1-1776253-4
45.50	13	1-1776253-3
42.00	12	1-1776253-2
38.50	11	1-1776253-1
35.00	10	1-1776253-0
31.50	9	1776253-9
28.00	8	1776253-8
24.50	7	1776253-7
21.00	6	1776253-6
17.50	5	1776253-5
14.00	4	1776253-4
10.50	3	1776253-3
7.00	2	1776253-2
DIM A	NO OF POSN	PART NUMBER

THIS DRAWING IS A CONTROLLED DOCUMENT.		DWN	S SCHLEGEL	5/6/05	Tyco Electronics Corporation Harrisburg, Pa 17105-3608
DIMENSIONS: mm		CHK	C RICHARD	5/6/05	
TOLERANCES UNLESS OTHERWISE SPECIFIED:		APVD	C RICHARD	5/6/05	
0 PLC ± - 1 PLC ± 0.3 2 PLC ± 0.25 3 PLC ± - 4 PLC ± - ANGLES ± - FINISH -		PRODUCT SPEC	-	NAME	
MATERIAL	-	WEIGHT	-	SIZE	A2
CUSTOMER DRAWING		SCALE	NTS	CAGE CODE	00779
		DRAWING NO	C=1776253	DRAWING NO	1776253
		SHEET	1	REV	02

THIS DRAWING IS UNPUBLISHED. RELEASED FOR PUBLICATION
 © COPYRIGHT BY TYCO ELECTRONICS CORPORATION. ALL RIGHTS RESERVED.

LOC	DIST	REVISIONS					
FT	0	P	LTR	DESCRIPTION	DATE	DWN	APVD
		-		SEE SHEET 1	-	-	-

1. APPLICATION AND FEATURES:

1-1. STANDARD SIZES ARE 2 AND 3 WAY-BLOCKS, BUT EVERY NUMBER OF CONTACT CAN BE COMBINED, BY SIMPLY PLUGGING THEM TOGETHER AND CAN BE ORDERED AS REQUIRED.

1-2. WITH WIRE GUARD FOR WIRE PROTECTION SO THAT THE SCREW DOESN'T PRESS DIRECTLY ON THE WIRE.

2. TECHNICAL DATA:

2-1. MATERIAL:

2-1-1. HOUSING: NYLON 6.6, UL 94 V-0, BLUE.

2-1-2. METAL HOUSING: BRASS(Cu Zn)
Cu, TIN PLATED.

2-1-3. WIRE GUARD: STAINLESS STEEL.

2-1-4. SCREW: STEEL GALVANIZED AND CHROMATIZED, M2.6.

2-2. ELECTRICAL:

2-2-1. CURRENT RATING: RATING: 7 AMPS/WAY MAX.

2-2-2. CONTACT RESISTANCE: 20mΩ (MAX).

2-2-3. INSULATION RESISTANCE: 5000MΩ/1000V.

2-2-4. WITHSTANDING VOLTAGE: 1500 VAC/MIN.

2-2-5. OPERATION VOLTAGE: 250 VAC.

2-2-6. WIRE RANGE: 18-26 AWG.


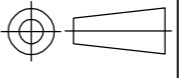
2.3. MECHANICAL:

2-3-1. TORQUE: 4 Kg.cm (MAX).

2-3-3. OPERATING TEMPERATURE: -55°C to +105°C.

2-3-4. SOLDERABILITY: 95% COVERAGE (MIN).

1776253

THIS DRAWING IS A CONTROLLED DOCUMENT.		DWN	S SCHLEGEL	5/6/05	 Tyco Electronics Corporation Harrisburg, Pa 17105-3608								
DIMENSIONS: mm		CHK	C RICHARD	5/6/05									
		APVD	C RICHARD	5/6/05									
TOLERANCES UNLESS OTHERWISE SPECIFIED:		PRODUCT SPEC											
0 PLC ± - 1 PLC ± 0.3 2 PLC ± 0.25 3 PLC ± - 4 PLC ± - ANGLES ± -		APPLICATION SPEC			NAME	TERMINAL BLOCK, PCB MOUNT, STRAIGHT TOP WIRE ENTRY, W/ INTERLOCK 3.5MM PITCH, HIGH TEMP							
MATERIAL		WEIGHT	-		SIZE	A2	CAGE CODE	00779	DRAWING NO	C=1776253	RESTRICTED TO	-	
FINISH		-		CUSTOMER DRAWING		SCALE	NTS		SHEET	2 OF 2		REV	02